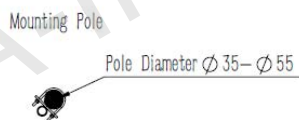
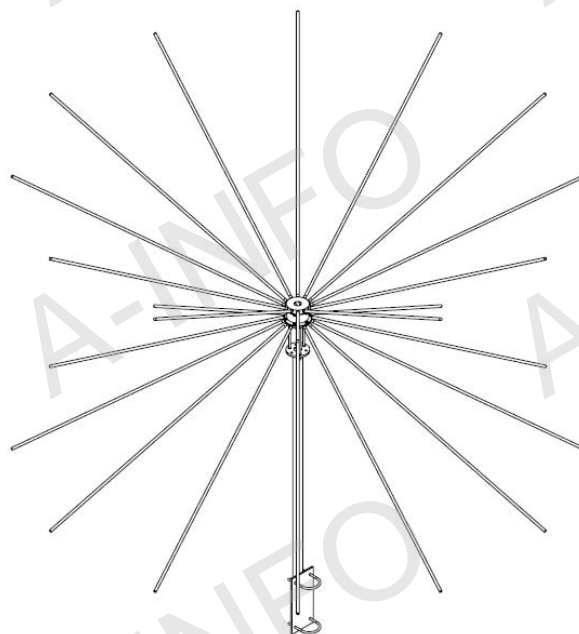
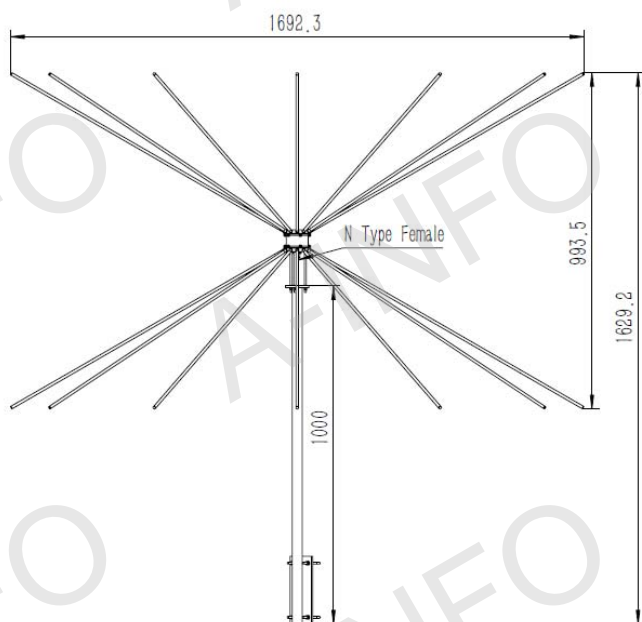


Technical Specification



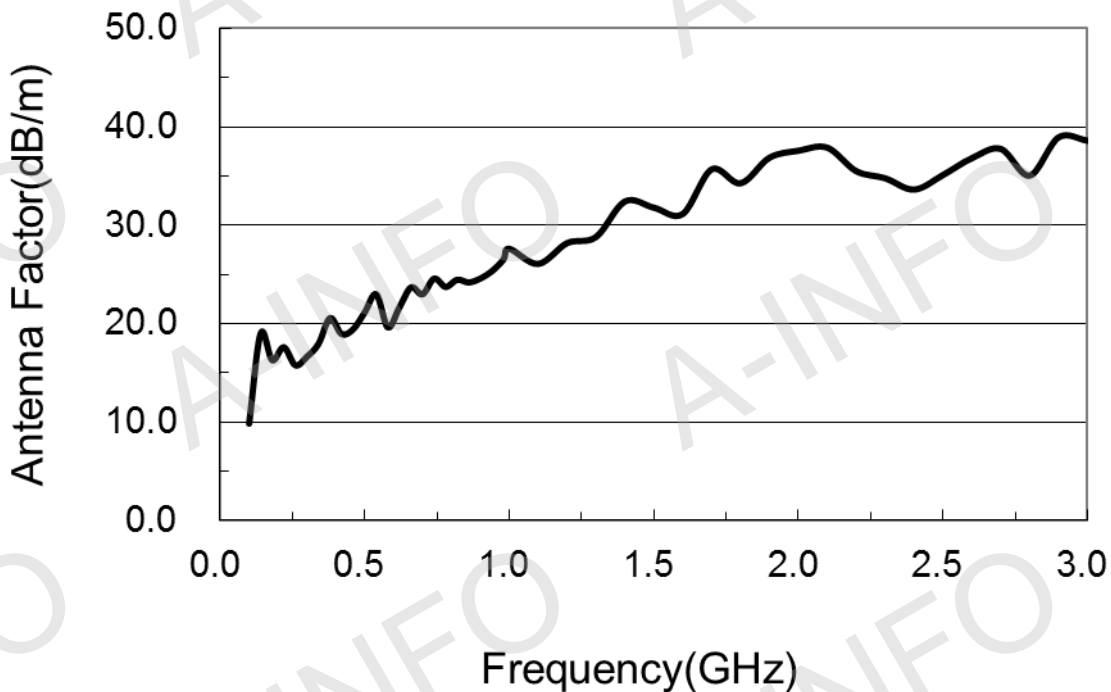
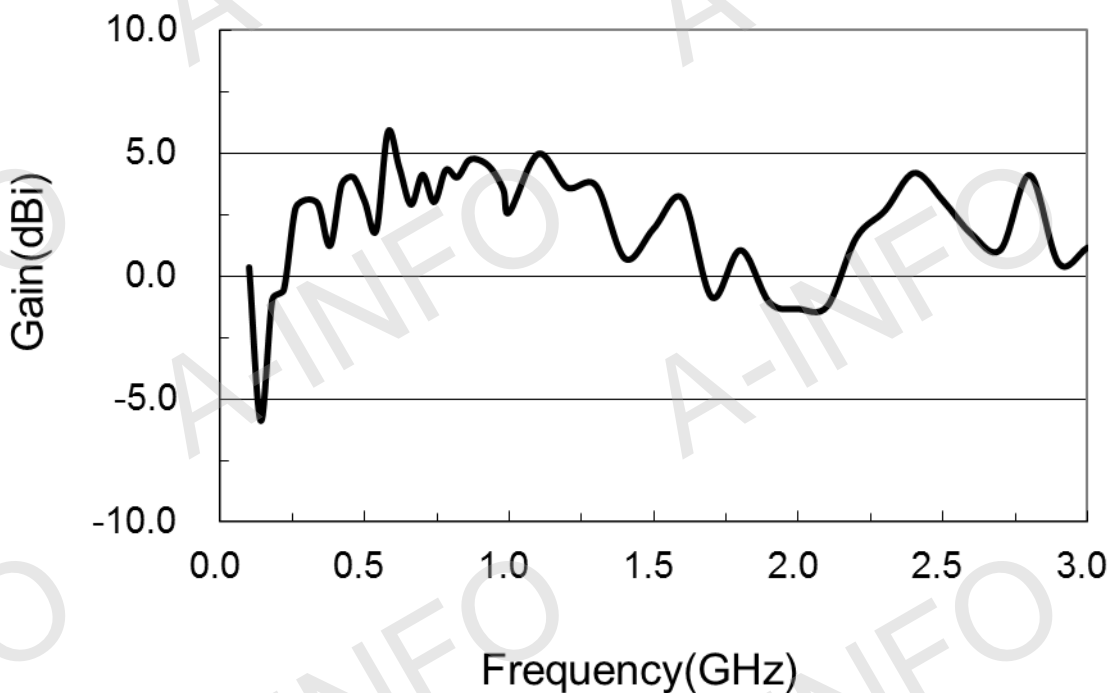
| | |
|----------------------|-----------------------|
| Frequency Range(GHz) | 0.1 – 3.0 |
| Gain(dBi) | 4.0 Typ. |
| Polarization | Vertical |
| VSWR | 2.0:1 Typ. |
| Connector | N-Female |
| Power (W) | 100 CW |
| Material | Al |
| Size(mm) | (Φ)1692.3 x (H)1692.3 |
| Net Weight(Kg) | 3.2 Around |

Outline Drawing (Size: mm)

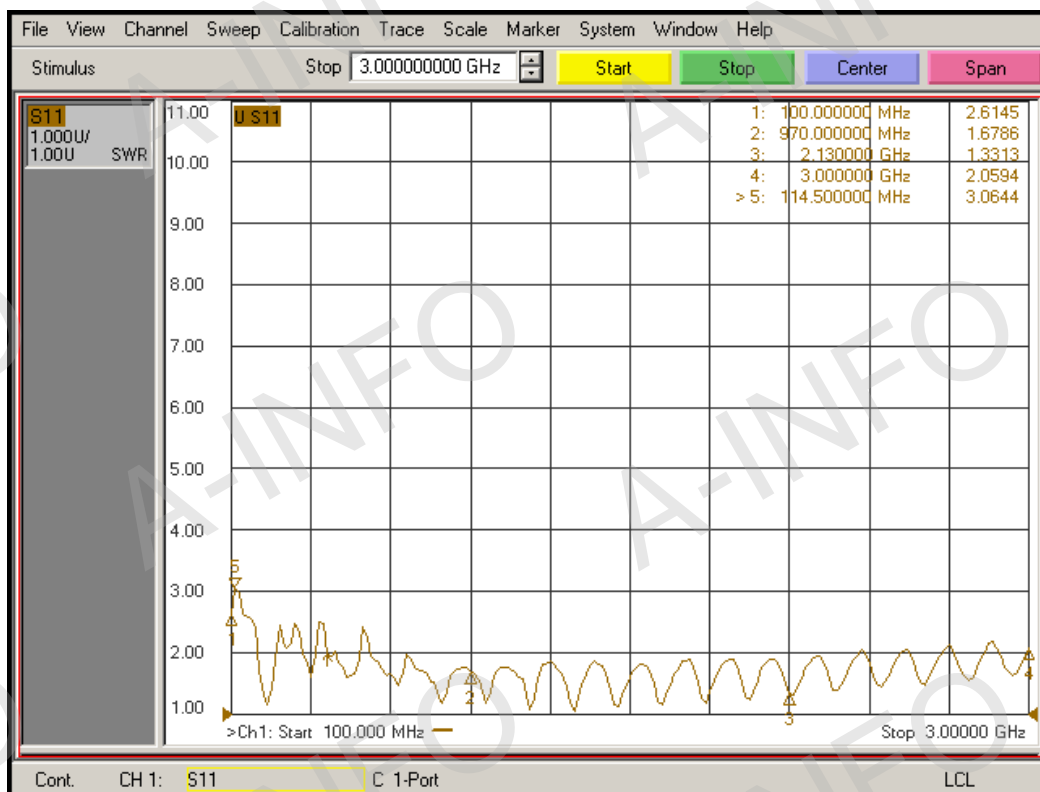


Test Results

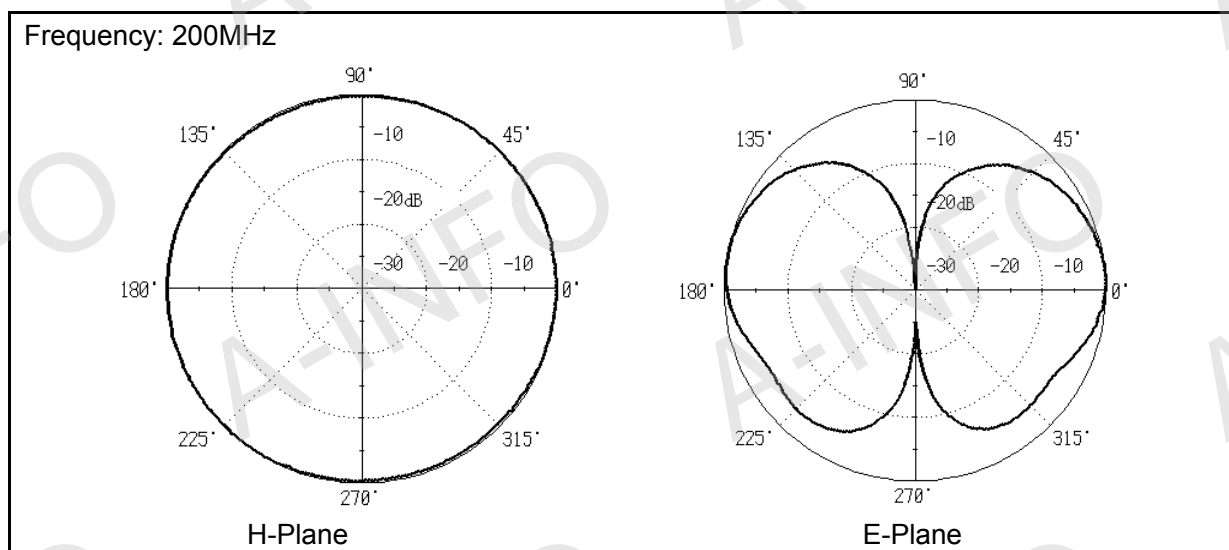
1. Gain & Antenna Factor

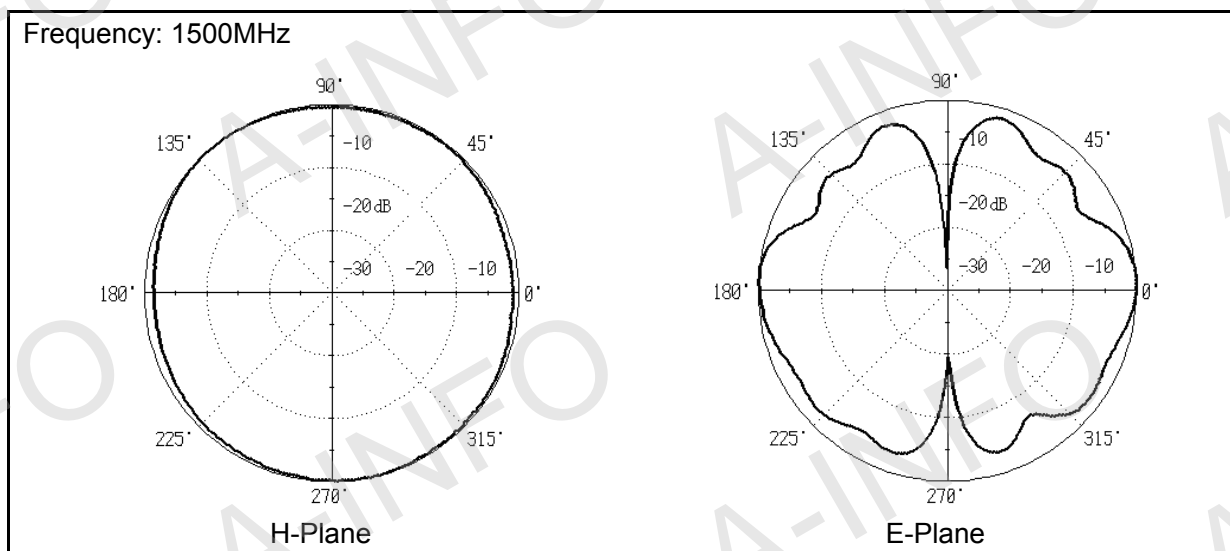
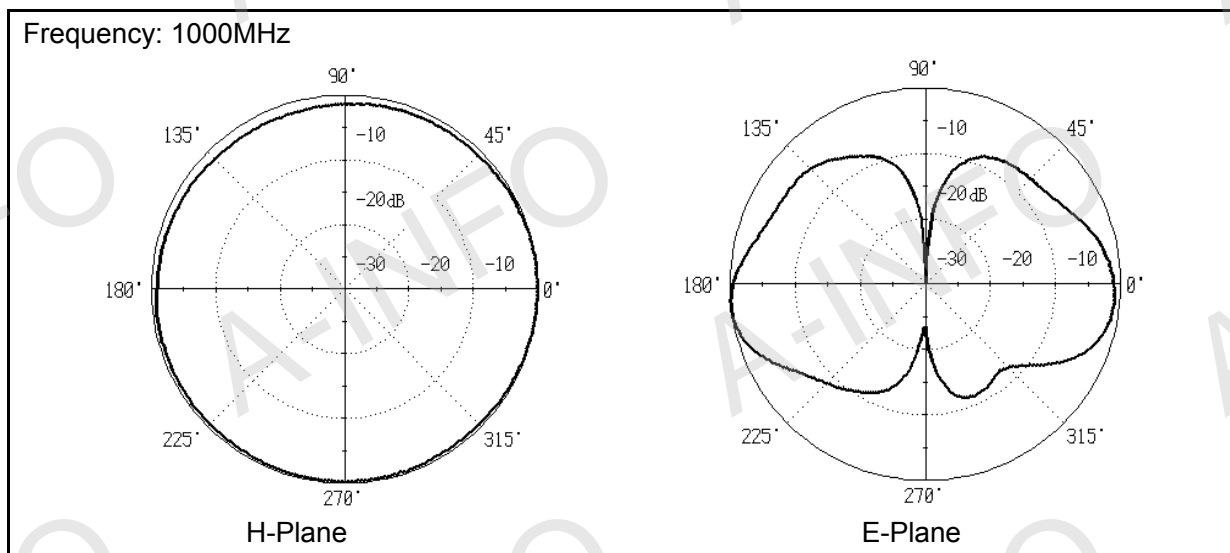
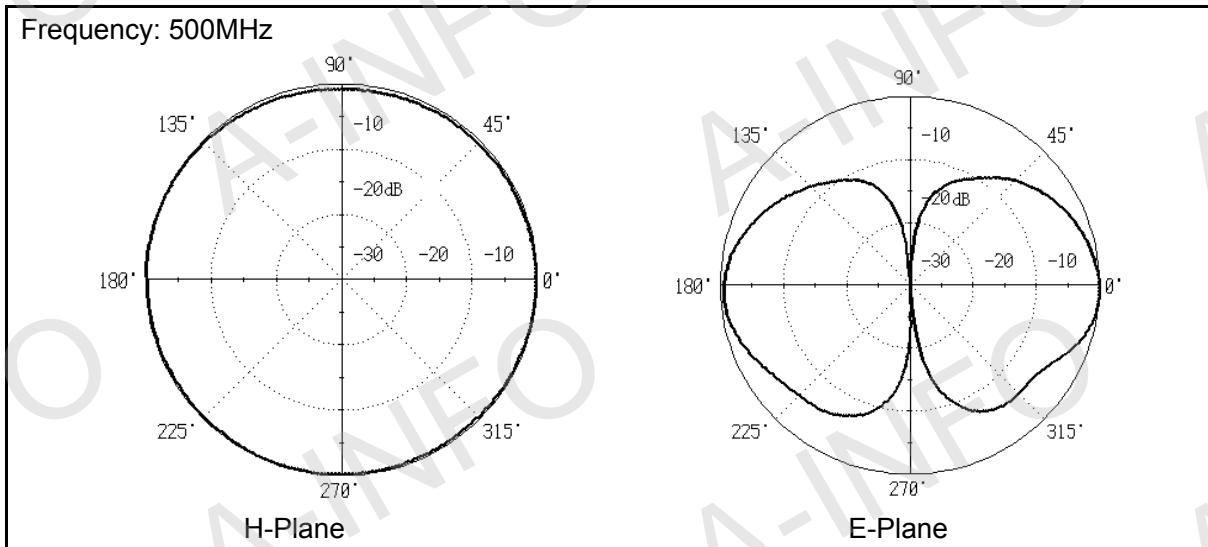


2. VSWR

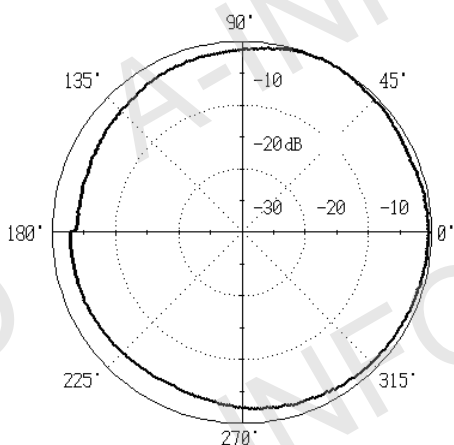


3. Pattern

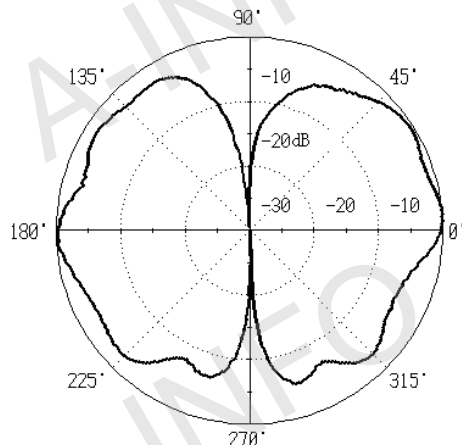




Frequency: 2000MHz

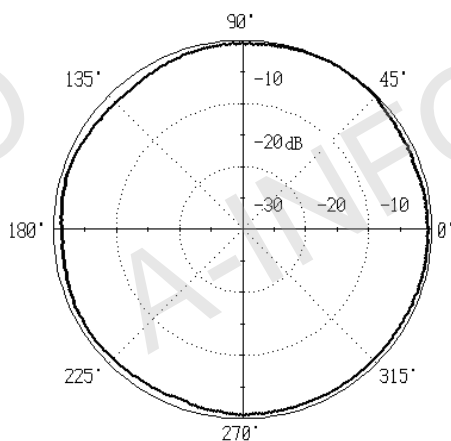


H-Plane

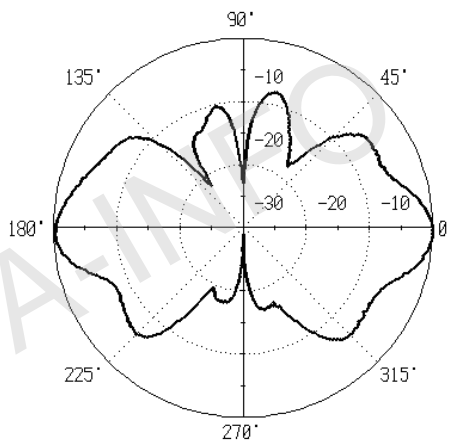


E-Plane

Frequency: 2500MHz

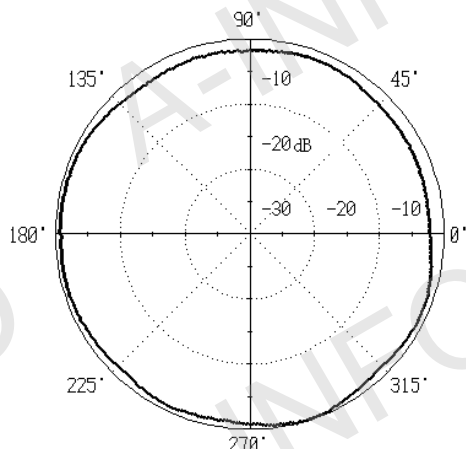


H-Plane

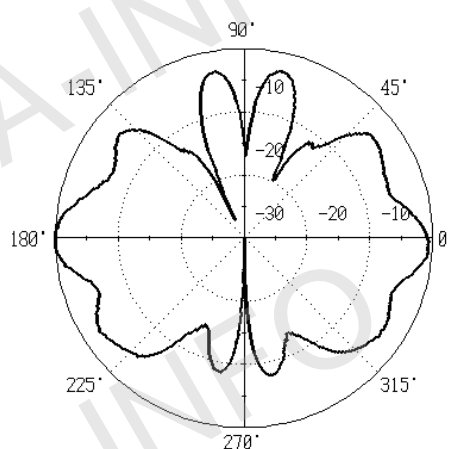


E-Plane

Frequency: 3000MHz



H-Plane



E-Plane